

LUG TYPE BUTTERFLY VALVE

SPECIFICATION

FOR BS 4504 PN10 / PN16 FLANGE MOUNTING
FACE-TO-FACE DIMENSION TO ISO 5752 / BS 5155 / BS EN 593
LEVER / WORM GEAR OPERATOR

PRESSURE / TEMPERATURE RATINGS

Working Pressure	10 bar (PTFE seat) 16 bar (EPDM / NBR / VITON seat)
Testing Pressure	Shell: 1.5 times Seat: 1.1 times
Working Temperature	-20°C to 120°C (EPDM Seat) -10°C to 80°C (NBR Seat) 20°C to 105°C (PTFE seat) 0°C to 200°C (VITON seat)
Suitable Media	Water & Oil

MATERIALS

Part	Material	BS / EN
Body	Stainless Steel 304 Stainless Steel 316	BS970 304 S15 BS970 316 S15
Disc	Stainless Steel 304 Stainless Steel 316	BS970 304 S15 BS970 316 S15
Seat Ring	EPDM NBR PTFE VITON	
Shaft	Stainless Steel 420 Stainless Steel 431	BS970 420 S29 BS970 431 S29
O-Ring	NBR	
Bushing	PTFE	

DIMENSIONS

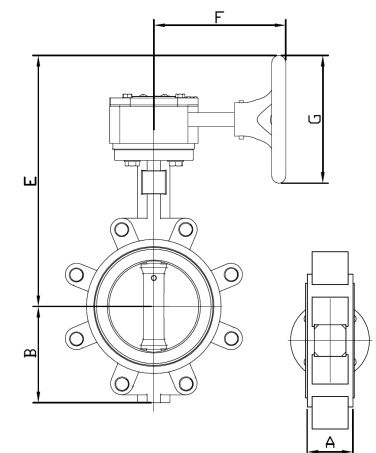
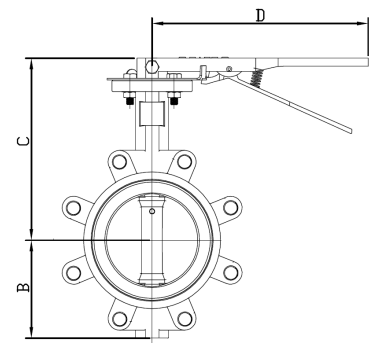
Unit: mm

Size	A	B	C	D	E	F	G
50	43	70	157	248	238	150	145
65	46	76	167	248	248	150	145
80	46	93	173	248	254	150	145
100	52	106	209	248	290	150	145
125	56	123	219	248	300	150	145
150	56	139	248	248	329	150	145
200	60	166	275	375	424	205	280
250	68	203	322	375	471	205	280
300	78	238	347	375	496	205	280
350	78	270			558	205	280

SBFV-LB

PN16

DN50~DN350



LUG TYPE BUTTERFLY VALVE

SPECIFICATION

FOR BS 4504 PN10 / PN16 FLANGE MOUNTING
FACE-TO-FACE DIMENSION TO ISO 5752 / BS 5155 / BS EN 593
DOUBLE-STAGE WORM GEAR OPERATOR

PRESSURE / TEMPERATURE RATINGS

Working Pressure	10 bar (PTFE seat) 16 bar (EPDM / NBR / VITON seat)
Testing Pressure	Shell: 1.5 times Seat: 1.1 times
Working Temperature	-20°C to 120°C (EPDM Seat) -10°C to 80°C (NBR Seat) 20°C to 105°C (PTFE seat) 0°C to 200°C (VITON seat)
Suitable Media	Water & Oil

DIMENSIONS

Unit: mm

Size	A	B	E	F	G
400	102	307	676	251	280
450	114	336	702	251	280
500	127	373	733	251	280
600	154	429	877	300	385

Note:

1. Actuator mounting flange conforms to ISO 5211 drilling.
2. The butterfly valve can be supplied with electric actuator.
3. Micro switch / limit switch box are available upon request.
4. Others flange standard available upon request.
5. Design and specifications are subject to change without prior notice
6. Please consult us for your specific application.

SBFV-LB

PN16

DN400~DN600

